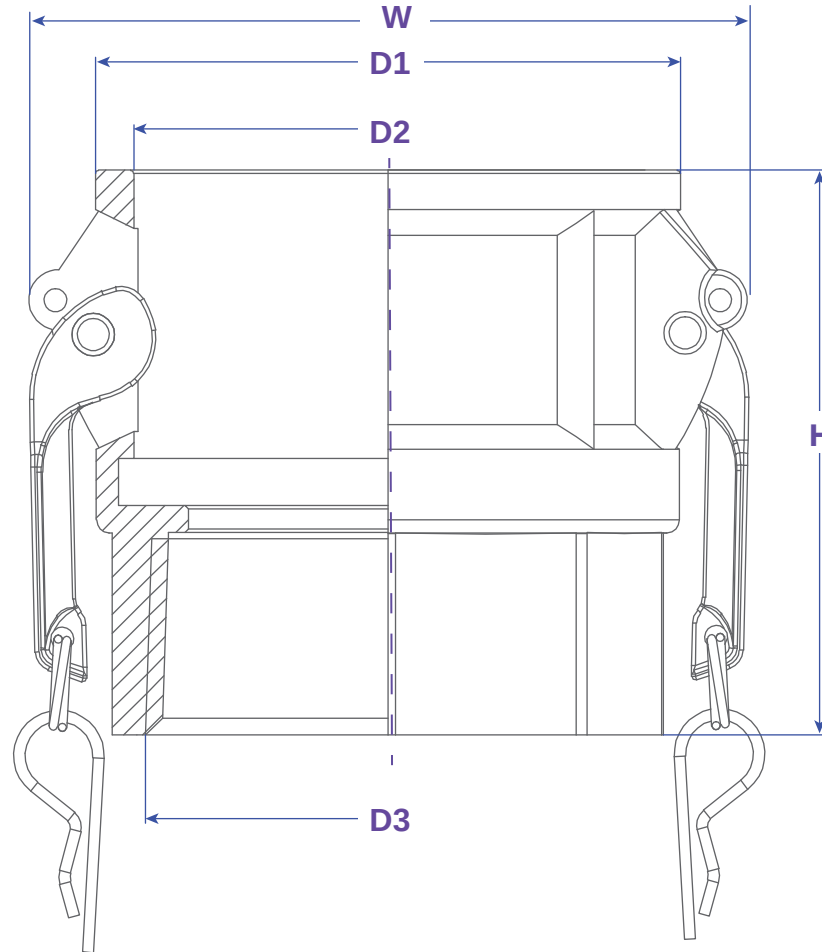




**TYPE D**



**FEATURES & APPLICATIONS:**

• **General Uses:**

A camlock fitting is a type of coupling that is used to connecting hose and or pipes together that transfers liquids, powders and granules. A straight through connection is made that maintains the pipe size and allows the free flow of materials being transferred.

Size	Working PSI	D1	D2	D3	W	H	PART #
3/4" NPT	150	1.614	1.272	3/4" NPT	2.360	1.831	D075PP
1" NPT	150	1.835	1.465	1" NPT	2.710	2.205	D100PP
1-1/4" NPT	150	2.213	1.811	1-1/4" NPT	3.070	2.598	D125PP
1-1/2" NPT	150	2.500	2.122	1-1/2" NPT	3.400	2.638	D150PP
2" NPT	150	2.913	2.508	2" NPT	3.900	2.795	D200PP
3" NPT	150	4.083	3.626	3" NPT	.240	3.366	D300PP
4" NPT	150	5.311	4.732	4" NPT	10.810	3.583	D400PP

**WARNING:** Cam & Groove Couplings should NOT be used with any compressed gas, including steam or air. Metal fittings should NOT be used with Polypropylene Cam & Groove. Dust Caps and Dust Plugs are NOT designed for pressure applications.

Note: All Seal Fast Cam & Groove Stainless Bodies are 316 Investment with 304 Handles.

TITLE <b>TYPE D - FEMALE COUPLER X FEMALE NPT</b>	
DISCLAIMER All drawings and specifications are subject to change without notice. Drawings represent general dimensions of our products. Seal Fast cannot guarantee the dimensions in the drawing will exactly match those in the drawing. This drawing is the property of Seal Fast Inc. Copying or reproduction of this drawing is expressly prohibited.	MATERIAL  <b>POLYPROPYLENE</b>
DRAWING NOT TO SCALE	PART # <b>D...PP</b>

